

Tono®
WALL MIXER
DRESS KIT
SMALL ROUND PLATE

Features

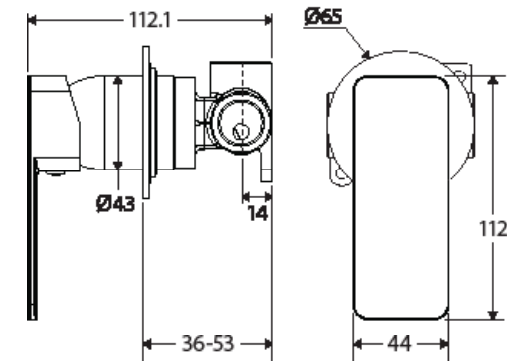
- Dress kit only – universal in-wall body required (sold separately: 230000)
- Included backing plate, cartridge cover sleeve and handle
- Designed for shower and bath
- Made from eco-friendly lead-free brass*
- WELS rating not required

Please note: This product may have a visible Fienza or Watermark logo.

*Defined as containing less than 0.25% lead.



Lead Free*



Available in



Chrome
D233101-1



Electroplated
Matte Black
D233101B-1



PVD
Brushed Nickel
D233101BN-1



PVD
Gun Metal
D233101GM-1



PVD
Urban Brass
D233101UB-1

Cleaning & Care

- Regularly clean with mild soapy water using a microfibre cloth.
- In highly polluted or coastal locations, we recommend cleaning 2-3 times per week.
- Do not use harsh detergents, bleach, cream cleansers or citrus based cleaners. These substances are abrasive and will damage the surface.
- Do not use undue pressure and wipe in one direction only.



While we aim to ensure specifications are correct at the time of publication, Fienza reserves the right to make modifications without prior notice. Physical colour may vary from image shown. All measurements are shown in millimetres. Always use physical product measurements for mark-ups and roughing-in as the technical drawing may differ from actual product received.